

Specification

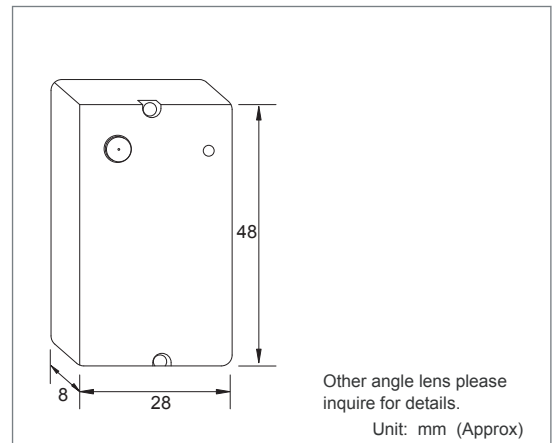
CCD Body Camera

CCD BODY CAMERA			
Item NO.		MS-C1476	MS-C1876
Video system.		NTSC/PAL (Color)	
Number of Effective Pixels	PAL	500x528	752x582
	NTSC	510x492	768x494
CCD Image Sensor		1/4" Interline CCD	
Scanning System		2:1 INTERLACE	
Synchronization		INTERNAL	
Resolution (TV Lines)		350	470
Minimum Illumination		0.2Lux / F 1.2	
S/N Ratio		more than 48dB	
Electronic Shutter		1/50 - 1/120,000	
Horizontal Sync Frequency		NTSC(EIA)-15.73kHz / PAL(CCIR)-15.62kHz	
Vertical Sync Frequency		NTSC(EIA)-60Hz / PAL(CCIR)-50Hz	
Gamma Consumption		0.45	
Video Output		1Vp-p , 75ohms Composite	
Audio Output		Frequency 20-16000Hz,S/N ratio more than 58dB (Optional)	
Built-IN Lens		3.1mm/F3.4	
Storage Temperature		-30 to 60 Degree C	
Working Temperature		-10 to 45 Degree C	
Power Source		DC 12V(standard)	
Power Current		70mA(max)	
Dimensions (mm)		28x48x8	



MS-C1476

Dimensions



Ordering Information

MODEL	PIN HOLE	MICROPHONE	NOTE
MS-C1476	3.1mm / F3.4 CONE		1/4" CCD M.RES
MS-C1476A		●	
MS-C1876			1/4" CCD H.RES
MS-C1876A		●	

NOTE:
1/4" CCD **M.RES.** : **M**: Mendium resolution ; **H**: High resolution
MS-C1476 **A**: **A**:W/Microphone

Other mode

Receiver

MODEL	MRX-2400B	MRX-1200B	MRX-0900B
Channel Frequency	2413 , 2432 2451 , 2470	1080 , 1120 1160 , 1200	910 , 980 1010 , 1040
Video Input	1 Vp-p Composite Video		
Audio Input	2 Vp-p (max)		
Audio Sub Carrier	5.5MHz		
Operating Voltage	DC 5 V		
Power Current	360mA		
Batter Charge Time	2.5Hrs		
Operating Temperature	10-40 Degree C		
Operating Humidity	20-80%		
Dimensions	110mmx67mmx21.5mm		
Weight	117g		



MSX-2400B

MODEL	MSR-A2410B	MSR-B1210B	MSR-C0910B
Channel Frequency	2413 , 2432 2451 , 2470	1080 , 1120 1160 , 1200	910 , 980 1010 , 1040
Video Input	1 Vp-p Composite Video		
Audio Input	2 Vp-p (max)		
Audio Sub Carrier	5.5MHz		
Operating Voltage	DC 12 V		
Power Current	380mA		
Batter Charge Time	2.5Hrs		
Operating Temperature	10-40 Degree C		
Operating Humidity	20-80%		
Dimensions	21mmx80mmx125mm		
Weight	165g		



MSR-A2410B

Transmitter

MODEL	TXT-AB2	TXT-AB6	TXT-BB1	TXT-BB5
Channel Frequency	2413,2432,2451,2470 (MHz)		1080,1120,1160,1200 (MHz)	
Frequency Deviation	200kHz			
RF Output Power	200mW	600mW	100mW	500mW
Video Input	1 Vp-p75 ohms Composite			
Audio Input	2 Vp-p (max)			
Audio Sub Carrier	5.5MHz			
Charge Voltage	DC 9 V			
Charge Current	800mA			
Output Voltage	DC 12V			
Output Current	400mA(max)			
Capacity	900mAh(DC 9V)			
Operating Temperature	10-40 Degree C			
Operating Humidity	20-80%			
Dimension (mm)	55x70x15	55x86x20	55x70x15	55x86x20



TXT-BOX